

Weyn-Lauwers N.V.

Industriepark-Noord 12
B - 9100 SINT-NIKLAAS

Tel. : 00 32 (0)3 776.34.13
Fax : 00 32 (0)3 778.09.52
weynlauwers@weynlauwers.be
www.weynlauwers.be

**BALL VALVE
BSP - V-port Ball
2-pc AISI 316
FIG 171V IT**

DESIGN FEATURES

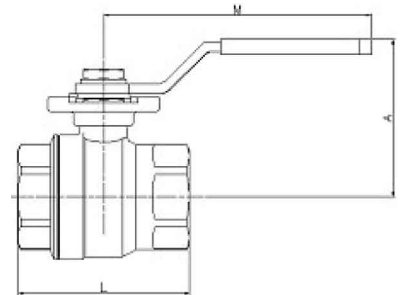
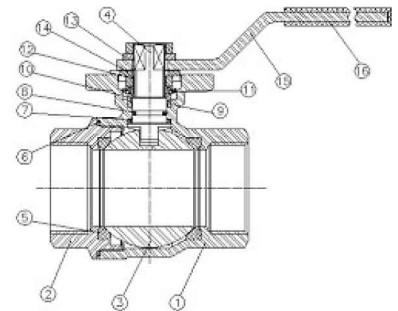
- 2-PC ball valve 1/4"-2" bsp FF
- temp : -30°C +180°C / pressure PN63
- specifications : anti-blow out stem
V-port ball : 30° - 60° - 90°
locking system
direct mounting

USE

- for all common fluids

MATERIALS

item	Part name	Material
1	body	SS 316
2	cap	SS 316
3	ball	SS 316
4	stem	SS 316
5	ball seat	PTFE + 15 % GF
6	gasket	PTFE
7	trust washer	PTFE + graphite
8	O-ring	Viton
9	stem packing	PTFE
10	stem ring	SS 316
11	spring washer	SS 301
12	nut	SS 304
13	washer	SS 304
14	stopper	SS 304
15	handle	SS 304
16	handle sleeve	Vynil



DN	"V" Port	Kv : m3/h	Percentage of ball rotation																		
			10%	20%	30%	40%	50%	60%	70%	80%	90%	100%									
15	30°	0	0	0.08	0.24	0.51	0.87	1.26	1.85	2.44	3.29										
	60°	0	0	0.12	0.39	0.83	1.33	2.16	3.27	4.68	7.18										
	90°	0	0	0.16	0.53	0.98	1.82	2.96	4.79	8.19	10.81										
20	30°	0	0.01	0.18	0.48	0.97	1.75	2.61	3.66	4.83	6.2										
	60°	0	0.01	0.27	0.79	1.55	2.63	4.13	6.27	9.13	13.69										
	90°	0	0.02	0.33	0.98	2.01	3.44	5.53	8.92	14.74	22.29										
25	30°	0	0.13	0.47	1	1.75	2.67	3.86	5.58	6.55	9.25										
	60°	0	0.15	0.64	1.51	2.71	4.42	6.57	9.54	13.44	20.45										
	90°	0	0.22	1.01	2.07	3.76	5.9	8.89	14.2	23.8	34.5										
32	30°	0	0.25	0.78	1.65	2.87	4.4	6.29	7.94	10.63	13.75										
	60°	0	0.31	1.16	2.54	4.55	7.12	10.4	15.3	20.3	31.8										
	90°	0	0.36	1.88	3.38	5.84	9.85	14.89	21.45	32.61	52.9										
40	30°	0	0.32	0.95	2.15	3.42	5.79	8.65	11.12	14.58	20.05										
	60°	0	0.56	1.7	3.8	6.9	10.85	15.23	21.95	30.5	45.38										
	90°	0	0.55	2.56	4.93	8.36	14.46	21.15	30.3	51.4	95.35										
50	30°	0	0.62	2.07	4.21	6.94	10.29	14.52	19.28	24.9	31.65										
	60°	0	0.89	3.22	6.43	10.91	16.69	24.68	31.53	49.61	68.42										
	90°	0	1.23	4.32	8.69	13.96	21.57	33.59	45.43	74.58	131.5										

SIZE (in mm)

DN		1/2"	3/4"	1"	1 1/4"	1 1/2"	2"
A		63	70	70	88	94	100
L		55	75,5	83	91	102	120
M		112	138	160	160	205	205
ISO		F04	F04/05	F04/05	F05/07	F05/07	F05/07
kg		0,35	0,62	0,78	1,35	1,90	2,83
ref.		171V IT.04	171V IT05	171V IT06	171V IT07	171V IT08	171V IT09

Presión Máxima de Trabajo en Bar.

